

# Foam Clamp



Let the  
forklift  
become a  
universal  
forklift

## Functions & Applications

Foam clamp can efficiently and safely handle and stack any type of cotton products including rubber, chemical industry and chemical fiber, etc.

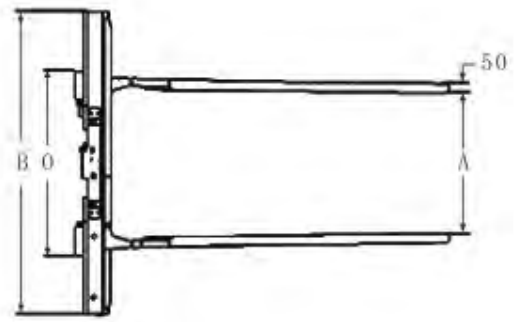
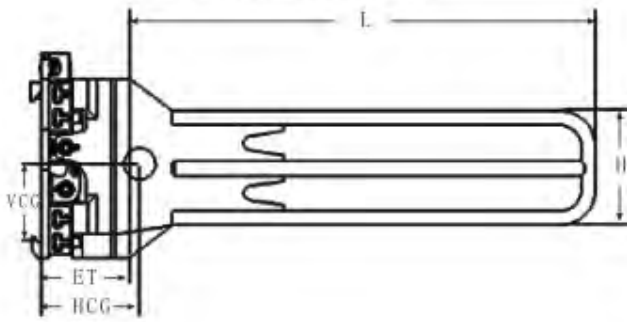
## Features

- Proven durable T-beam arm and aluminium alloy frame construction
- Superior arm-slide bearing for extended service life
- Regenerative hydraulic valving for optimal arm speed
- Thin arm designed, easy to permit close stacking
- Excellent driver visibility

## Options

- Custom opening ranges
- Custom pad size
- Various mounting classes available
- Load backrests

# Foam Clamp



Capacity@ Load Center	Catalog Order No.	Mounting Class	Opening Range	Frame Width	Arm Height	Arm Length	Minimum Truck Carriage Width	Vertical Center of Gravity	Weight	Effective Thickness	Horizontal Center of Gravity
(kg@mm)			A (mm)	B (mm)	H (mm)	L (mm)	O(mm)	VCG (mm)	(kg)	ET (mm)	HCG (mm)
500@500	HMC05D-B001	II	1260-2630	1041	417	980	890	240	465	127	310
600@500	HMC06D-B001	II	850-2230	1041	417	980	890	240	430	127	280
500@1000	HMC05D-B002	II	900-2300	1041	400	1800	890	240	475	167	280
200@1000	HMC02D-B001	II	1750-3150	1900	400	1800	890	240	650	167	280
500@1000	HMC05D-B003	II	1000-2400	1041	400	1800	890	240	490	167	280
1000@500	HMC10D-B001	II	900-2300	1041	600	1500	890	240	475	167	280
2200@500	HMC22D-B001	II	790-2600	1600	400	1800	990	260	680	200	300
2200@500	HMC22D-C001	III	790-2600	1600	400	1800	990	260	680	200	300
2200@500	HMC22D-C002	III	790-2600	1600	600	2500	990	260	800	200	300

