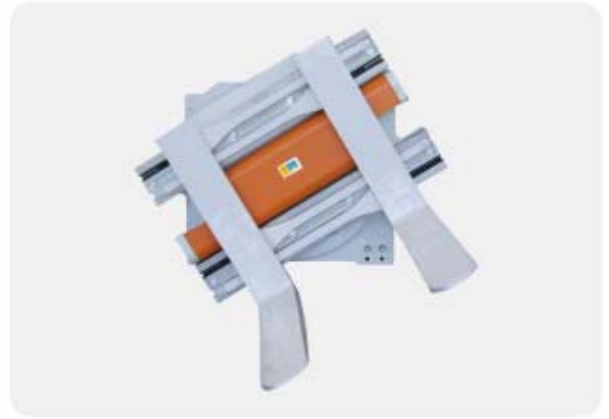
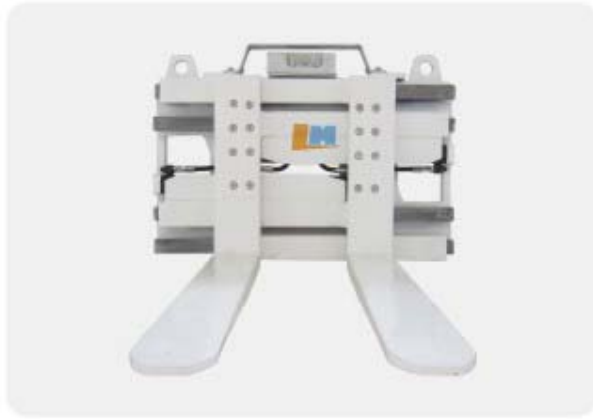


# Fork Clamp



## Functions & Applications

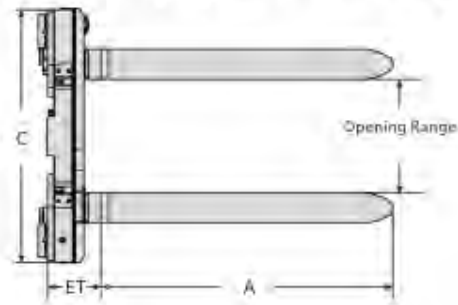
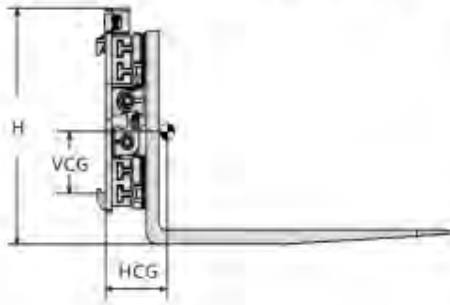
Fork clamp is generally used in handling of pallets and clamping of goods, Different clamp arms can be installed on the forks to realize special functions.

## Features

- Superior arm-slide bearing for extended service life.
- Optimized construction for excellent driver visibility and secure operation.
- T-beam sliding pair , long service life.

Let the  
forklift  
become a  
universal  
forklift

# Sideshifting Fork Clamp (two-fork)



Capacity@ Load Center	Catalog Order No.	Mounting Class	Opening Range	Fork Length Size	Frame Width	Overall Height	Vertical Center of Gravity	Weight	Effective Thickness	Horizontal Center of Gravity
(kg@mm)			(mm)	A (mm)	B (mm)	H (mm)	VCG (mm)	(kg)	ET (mm)	HCG (mm)
1600@600	CJC16D-B001	II	410-1660	915	940	665	185	295	180	168
1600@600	CJC16D-B002	II	410-1660	1065	940	665	175	306	180	198
1600@600	CJC16D-B003	II	410-1660	1220	940	665	170	328	180	231
2300@600	CJC23D-B001	II	465-1810	915	1015	730	215	401	208	173
2300@600	CJC23D-C001	III	465-1810	915	1015	730	210	422	216	168
2300@600	CJC23D-B002	II	465-1810	1065	1015	730	195	420	208	203
2300@600	CJC23D-C002	III	465-1810	1065	1015	730	200	438	216	201
2300@600	CJC23D-B003	II	465-1810	1220	1015	730	190	435	208	226
2300@600	CJC23D-B004	II	465-1810	1220	1015	730	190	454	216	221
3200@600	CJC32D-C001	III	420-1955	1065	1220	820	360	689	244	211
3200@600	CJC32D-D001	IV	420-1955	1065	1220	820	305	689	244	211
3200@600	CJC32D-C002	III	420-1955	1220	1220	820	300	708	244	234
3200@600	CJC32D-D002	IV	420-1955	1220	1220	820	300	708	244	234
3200@600	CJC32D-C003	III	420-1955	1370	1220	820	350	726	244	257
3200@600	CJC32D-D003	IV	420-1955	1370	1220	820	295	726	244	257
3200@600	CJC32D-C004	III	420-1955	1525	1220	820	345	755	244	279
3200@600	CJC32D-D004	IV	420-1955	1525	1220	820	290	755	244	279

Obtain the actual capacity of the forklift and attachments from the forklift manufacturer.

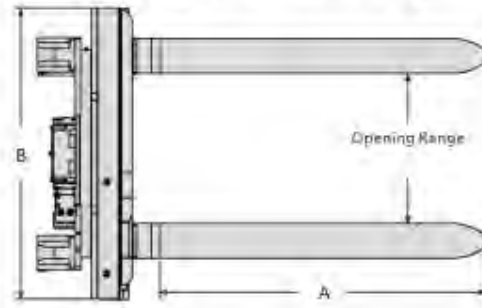
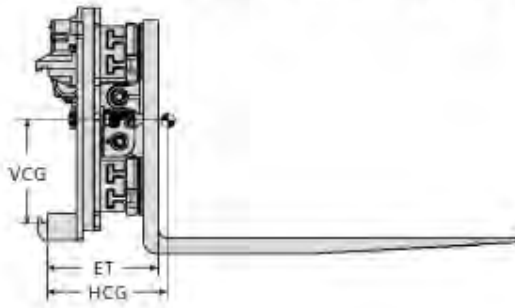
Two sets additional oil circuit required on forklift.

Opening range is the inner distance between two forks.

Special clamp arm available according to requested.

Non-sideshifting Fork Clamp available, one set additional oil circuit required on forklift.

# Revolving Fork Clamp(two-fork)



Capacity@ Load Center	Catalog Order No.	Mounting Class	Opening Range	Fork Length Size	Frame Width	Rotator speed	Vertical Center of Gravity	Weight	Effective Thickness	Horizontal Center of Gravity
(kg@mm)			(mm)	A (mm)	B (mm)	(rpm)	VCG (mm)	(kg)	ET (mm)	HCG (mm)
1600@600	CJX16D-B001	II	410-1660	915	940	5	280	561	287	188
1600@600	CJX16D-B002	II	410-1660	1065	940	5	275	579	287	213
1600@600	CJX16D-B003	II	410-1660	1220	940	5	265	597	287	231
2300@600	CJX23D-B001	II	440-1785	1065	1015	5	275	686	305	224
2300@600	CJX23D-C001	III	440-1785	1065	1015	5	275	704	345	262
2300@600	CJX23D-B002	II	440-1785	1220	1015	5	270	695	305	249
2300@600	CJX23D-C002	III	440-1785	1220	1015	5	270	713	345	287
3200@600	CJX32D-C001	III	420-1955	1065	1220	4	325	999	351	236
3200@600	CJX32D-D001	IV	420-1955	1065	1220	4	255	1035	406	282
3200@600	CJX32D-C001	III	420-1955	1220	1220	4	320	1012	351	251
3200@600	CJX32D-D002	IV	420-1955	1220	1220	4	250	1067	406	295
3200@600	CJX32D-C002	III	420-1955	1370	1220	4	320	1022	351	257
3200@600	CJX32D-D004	IV	420-1955	1370	1220	4	245	1076	406	302
3200@600	CJX32D-C003	III	420-1955	1525	1220	4	310	1040	351	227
3200@600	CJX32D-D005	IV	420-1955	1525	1220	4	240	1094	406	320

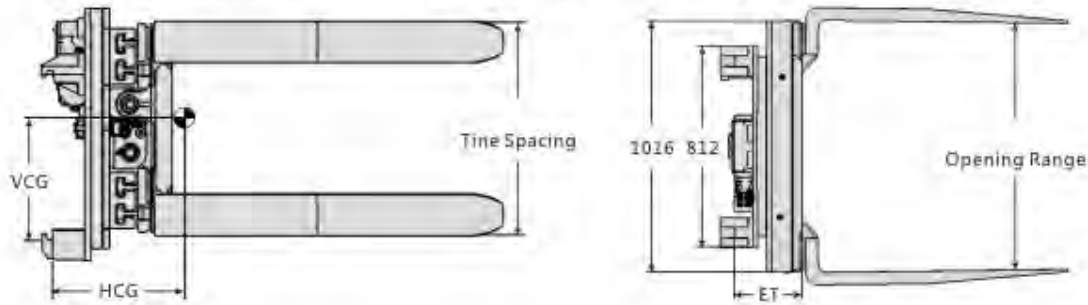
Obtain the actual capacity of the forklift and attachments from the forklift manufacturer.

Two sets additional oil circuit required on forklift.

Opening range is the inner distance between two forks.

Special clamp arm available according to requested.

# Revolving Fork Clamp(four-fork)



Capacity@ Load Center	Catalog Order No.	Mounting Class	Opening Range	Frame Width	Tine Size	Tine Spacing	Vertical Center of Gravity	Weight	Effective Thickness	Horizontal Center of Gravity
(kg@mm)			(mm)	A (mm)	(mm)	(mm)	VCG (mm)	(kg)	ET (mm)	HCG (mm)
1600@600	XZC16D-B001	II	580-1860	1040	50x125x100	450	265	720	300	330
1600@600	XZC16D-B002	II	480-1720	940	45x125x1070	700	265	680	290	325
1600@600	XZC16D-B003	II	620-1900	940	50x125x1200	560	265	750	300	330
1600@600	XZC16D-B004	II	715-1960	940	45x125x1220	850	265	662	290	325
1600@600	XZC16D-B005	II	660-1900	940	45x125x1220	450	265	750	300	330
1600@600	XZC16D-B006	II	555-1830	1040	50x125x1200	560	265	750	300	330
1600@600	XZC16D-B007	II	618-1830	940	40x125x1220	635	265	662	290	325
2300@600	XZC23D-C001	III	640-1970	1050	50x125x1220	890(4叉)	270	780	345	300
2300@600	XZC23D-C002	III	690-2000	1015	50x125x1500	890(6叉)	270	980	345	300
2300@600	XZC23D-C003	III	690-2000	1015	50x125x1220	890(4叉)	270	780	345	300
2300@600	XZC23D-C004	III	770-2115	1015	50x125x1220	890(4叉)	270	790	345	300
2300@600	XZC23D-B001	II	690-2000	1015	50x125x1220	635(4叉)	270	780	305	300
2300@600	XZC23D-C005	III	690-2000	1015	50x125x1220	635(4叉)	270	780	345	300
2300@600	XZC23D-C006	III	640-1950	1015	50x125x2200	635(4叉)	270	880	345	300
2300@600	XZC23D-C007	III	690-2000	1015	50x125x900	754(4叉)	270	760	345	300
2300@600	XZC23D-C008	III	500-2348	1710	50x125x1220	650	342	877	295	331
3200@600	XZC32D-C008	III	780-2310	925	50x150x1220	890	395	1116	323	348
3200@600	XZC32D-D001	IV	780-2310	925	50x150x1220	890	375	1170	381	386

Obtain the actual capacity of the forklift and attachments from the forklift manufacturer.

Two sets additional oil circuit required on forklift.